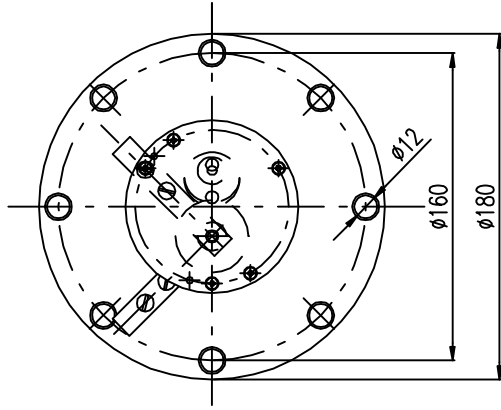
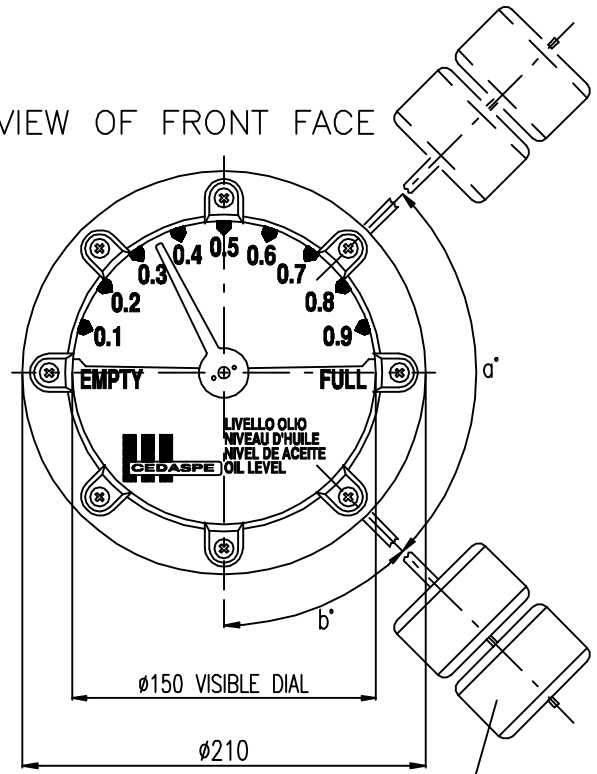


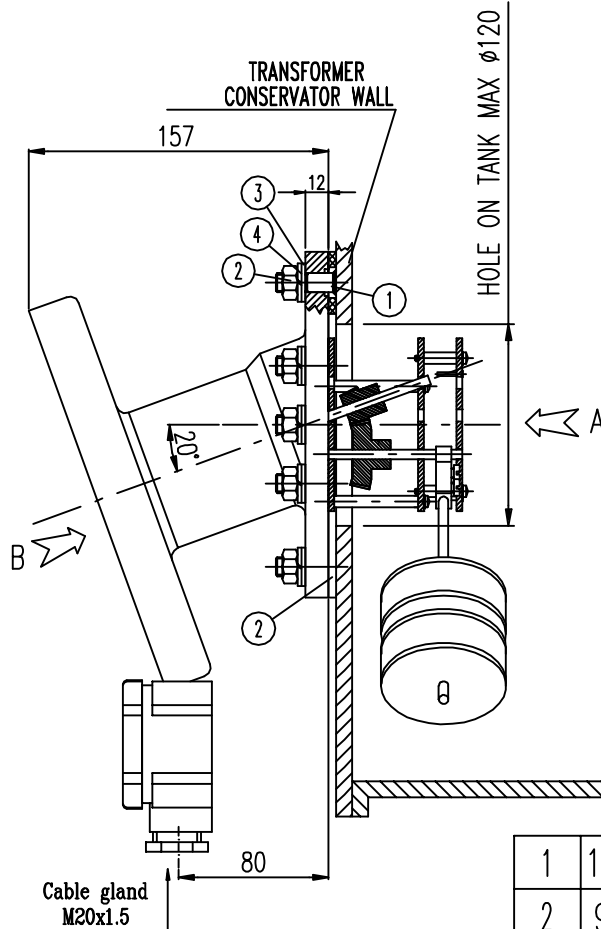
VIEW OF CONNECTING FLANGE



VIEW OF FRONT FACE



ATTENTION:  
FLOAT ARM IS ON  
RIGHT HAND SIDE



WEIGHT: 5 Kg

POS.	DESCRIPTION
5	FLANGE GASKET (177x120x4)
4	SPRING WASHER
3	WASHER M10
2	NUT M10
1	STUD M10X30

1	140°	20°	STANDARD
2	90°	45°	SPECIAL
POS.	a°	b°	EXECUTION



Titolo **MAGNETIC OIL LEVEL INDICATOR IFG MODEL BQ2 RADIAL TYPE FOR OLTC CONSERVATOR**

Data 12/03/13  
Scala ==  
Dis.  
Visto

Dis. Nr  
**3837**

1				
---	--	--	--	--