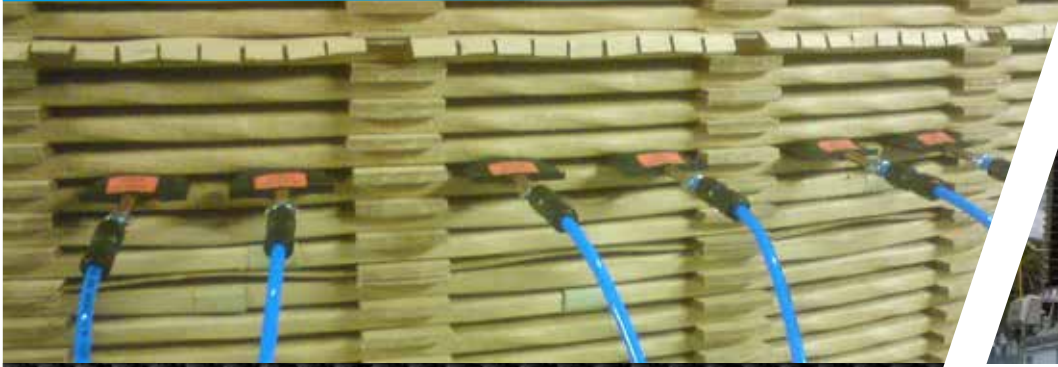


Reliable, innovative & custom-designed industrial solutions



VTR LIFTING BAG FOR COIL INSULATION



DESCRIPTION

A pneumatic system for coil sizing is a much better method to use than the traditional method of driving wedges into the coil. Inflatable cushions are slipped between the windings and are then inflated, gently lifting the coil, thus allowing the insertion of spacers.

The lifting height achieved is dependent upon the air pressure applied and the cross-sectional area of the lifting cushion in contact with the coil. The maximum lift will be approximately $\frac{1}{2}$ of the major width dimension, i.e. a 60 mm wide cushion will provide an approximate 30 mm lifting.

The cushions are manufactured from a fabric support coated with synthetic rubber.



 **PRONAL**
Elastomer Engineering

www.pronal.com

VTR LIFTING BAG FOR COIL INSULATION



➔ NORMALISATION

Pressure requirements

Maximum pressure=3.5 or 5 bar.

The cushions are designed to lift weight and must be constrained during use. Any cushions not in use should be disconnected from manifold while others are utilized.

Note: inflation of unconstrained cushions may result in damage.

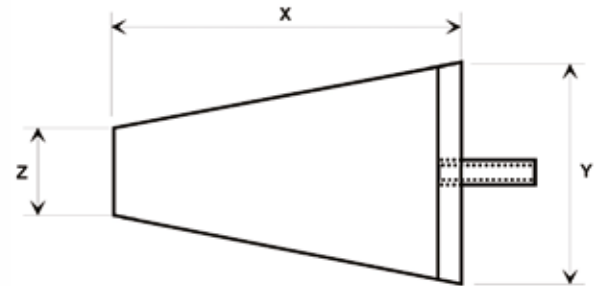
Cushion sizes

The cushions are trapezoidal shaped.

REF.	VTR 2	VTR 3
THICKNESS WHEN DEFLATED MM / INCH	2 / 0.08	3 / 0.12
INSERT FROM MM / INCH	2.5 / 0.09	3.5 / 0.13
INFLATING PRESSURE BAR / PSI	3.5 / 53.8	5 / 72.5

Standard sizes

REF.	VTR 120/60/40	VTR 120/70/50	VTR 150/50/40	VTR 160/80/50
LENGHT X MM / INCH	120 / 4.72	120 / 4.72	150 / 5.90	160 / 5.90
MAJOR WIDTH Y MM / INCH	60 / 2.36	70 / 2.75	50 / 1.96	80 / 3.14
MINOR WIDTH Z MM / INCH	40 / 1.57	50 / 1.96	40 / 1.57	50 / 1.96



Custom sizes are available

Simply advise us of your preferred dimensions, X, Y, Z, to obtain a quotation.

Available custom sizes

- Minimum minor width = 30 mm / 1.18 inch
- Minimum length = 50 mm / 1.96 inch

➔ ADVANTAGES



Tailor made

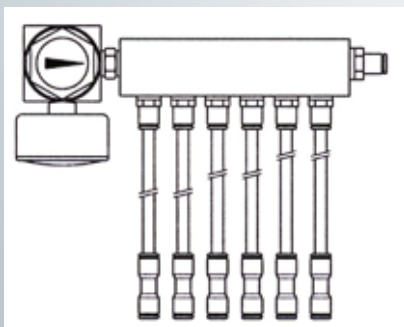


Time &
cost saving



Accurate
smooth lifting

➔ OPTIONAL ACCESORY



System components

The system consists of a manifold assembly and cushions sized as required. The standard manifold assembly consists of 6 outlets, 6 hoses (2.5 meter length each), 1 gauge and 1 regulator 0-6 bar.

The cushions are available in standard or custom sizes and supplied with an inlet pipe to accomodate connection to the manifold.

Available option: 12 outlets of 2.5m each

Always concerned with the improvement of the quality of its products, Pronal reserves the right to modify specifications without prior notices / Non-contract pictures.

www.pronal.com

PRONAL
Elastomer Engineering

ZI ROUBAIX EST - BP 18 - Rue du Trieu du Quesnoy 59115 LEERS
 ☎ +33 (0) 3 20 99 75 00 - 📠 +33 (0) 3 20 99 75 20
 @ contact@pronal.com - 🌐 www.pronal.com